

HVAC SYSTEMS RUN LESS

COMFORT GOES UP

OPERATING COSTS GO DOWN

REDUCED CARBON FOOTPRINT

FAST PAYBACK

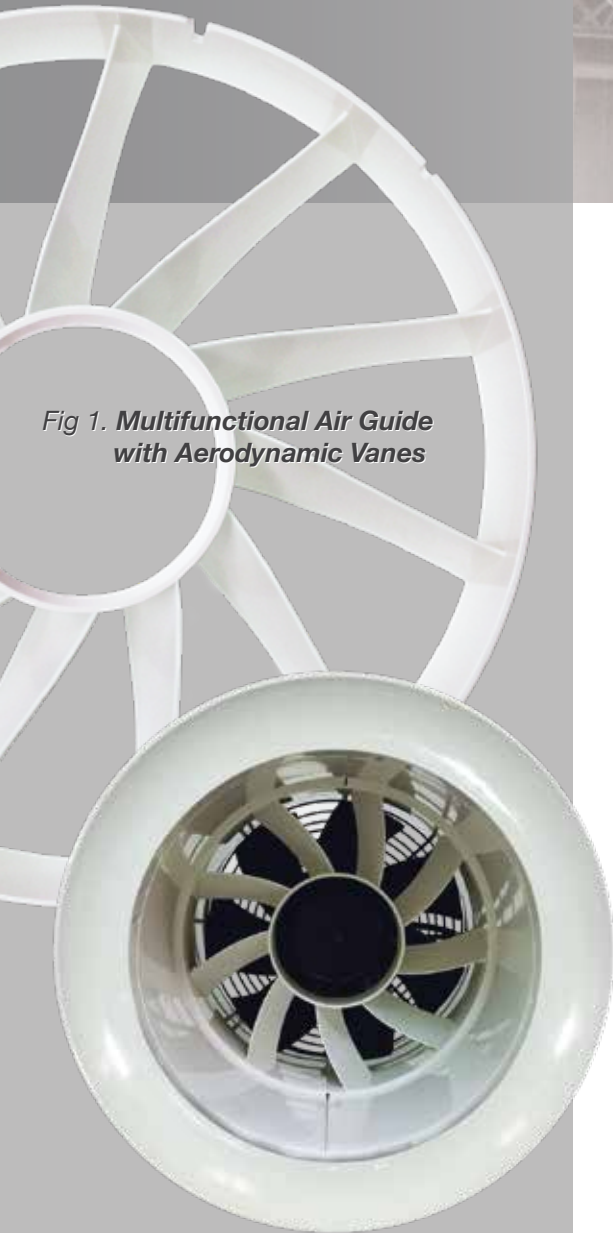


Fig 1. Multifunctional Air Guide with Aerodynamic Vanes

**ZOO Fans™** energy-efficient fans create a concise column of air that gently mixes the air from ceiling-to-floor and wall-to-wall. ZOO fans destratify the air, eliminate hot and cold spots, and increase overall air circulation—**noticeably improve comfort, and save energy!**

### H-Series Fans deliver proven efficiency and performance that is unmatched by other fans

- > ZOO fans are **the only destratification fans** that are **independently tested** in an industry-certified laboratory for **guaranteed performance**
- > **Variable speed controllable** to dial-in comfort, individually, or in zones
- > **Easy to control**—manually, automatically, or by a building automation system (BAS)
- > **Contributes to LEED**

Fig 1. ZOO Fans' proprietary stator ring reduces centrifugal and angular flow, **straightens the air column, increases air speed, and significantly increases the throw.**



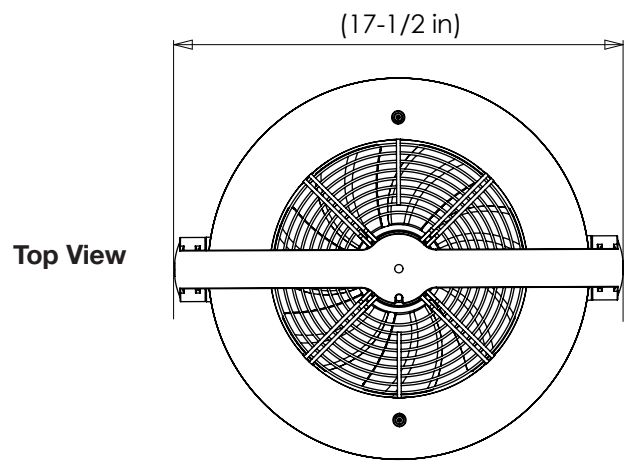
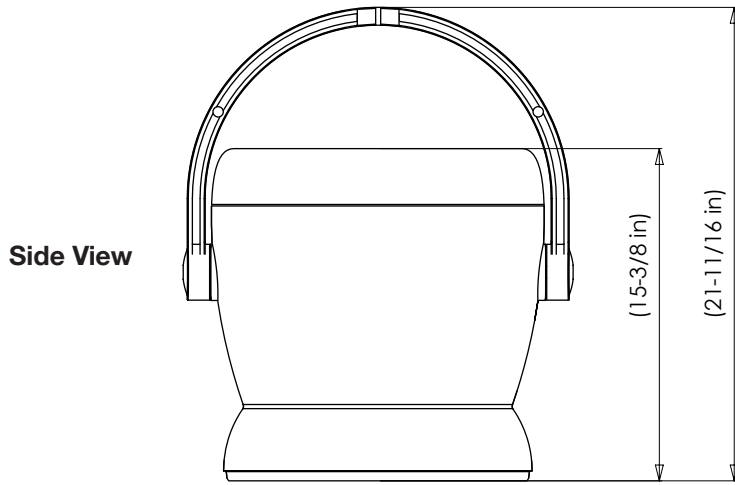
PRODUCT SPECIFICATIONS

# H25 AC High Efficiency

H-SERIES | OPEN CEILING

## DESTRATIFICATION FANS FOR CEILINGS UP TO 25' HIGH

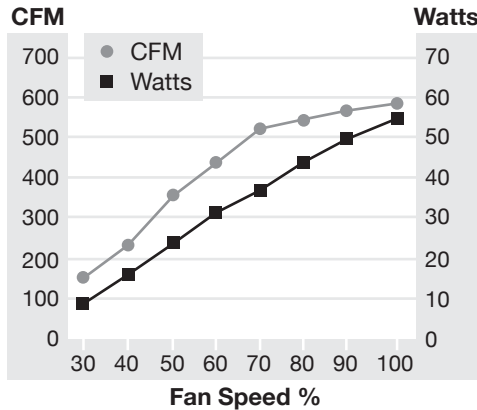
### Dimensions



### Specifications

Model	H25 High Efficiency
Volts	115
Hz	60
Watts	55
Amps	0.48
CFM	588
Wt. (lbs.)	15

### Fan Speed vs CFM and Power Usage



### Sound Level Calculations

Hanging Height	dBa*
15 feet	40.8
20 feet	38.3
25 feet	36.4

\*based on non-reflective area

### Motor

- > Ultra-reliable motor with thermal overload protection
- > Sealed, lifetime lubricated bearings

### Housing

- > Durable double-wall construction with UV treated, flame resistant plastic
- > Patented design significantly outperforms the competition
- > Intake Safety Grill is standard

### Installation Hardware Included

- > 8' Cable with fast-locking Gripple® and attachment hardware
- > 12' Stabilization Tether with fast-locking Gripple and attachment hardware

### Coverage

Each fan covers from 1200-2500 sq. ft., depending on the following variables:

- > Ceiling height and square footage
- > Targeted number of air-turns per hour

### Options

- > 6' Cord, 3-Prong Plug
- > Colors: Off-White or Black
- > Controllers (additional charge)

### FAQs

- > How many fans for this job?
- > How far apart should the fans be installed?
- > How much will this cost?

**Call for your free fan layout and quote.**