

# H140 EC Premium Efficiency

H-SERIES | FOR OPEN CEILINGS UP TO 140' HIGH

HVAC SYSTEMS RUN LESS

COMFORT GOES UP

OPERATING COSTS GO DOWN

REDUCED CARBON FOOTPRINT

FAST PAYBACK

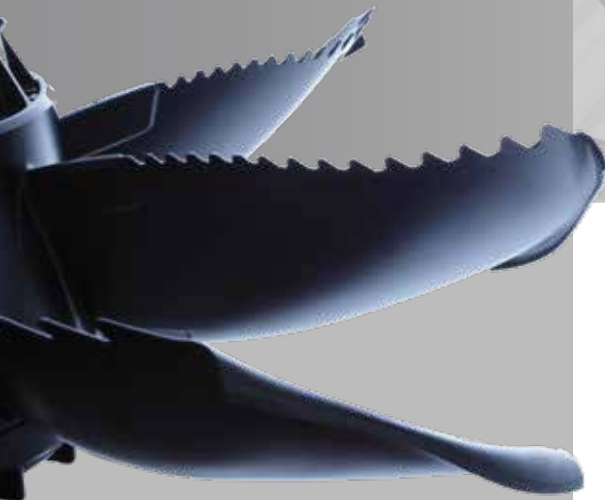


Fig 1. Innovative Blade Design

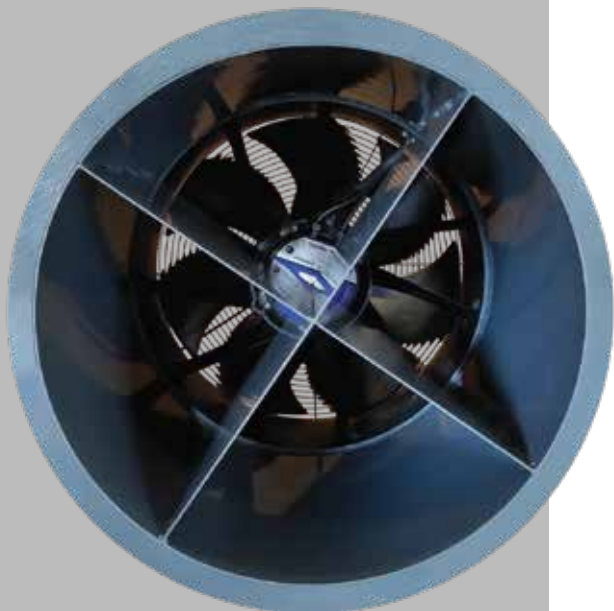


Fig 2. Multifunctional Air Guide with Aerodynamic Vanes



**ZOO Fans™** energy-efficient fans create a concise column of air that gently mixes the air from ceiling-to-floor and wall-to-wall. ZOO fans destratify the air, eliminate hot and cold spots, and increase overall air circulation—**noticeably improve comfort, and save energy!**

## H-Series Fans deliver proven efficiency and performance that is unmatched by other fans

- > ZOO fans are **the only destratification fans** that are **independently tested** in an industry-certified laboratory for **guaranteed performance**
- > **Variable speed controllable** to dial-in comfort, individually, or in zones
- > **Easy to control**—manually, automatically, or by a building automation system (BAS)
- > **Contributes to LEED**

*Fig 1. Serrations on the trailing edge and winglets on the end of each blade, top-and-bottom, significantly reduce turbulence. The result is a **quieter, more efficient, and more productive fan.***

*Fig 2. The aerodynamically engineered stator guides reduce centrifugal and angular flow, **straighten the air column, increase air speed, and significantly increase throw.***



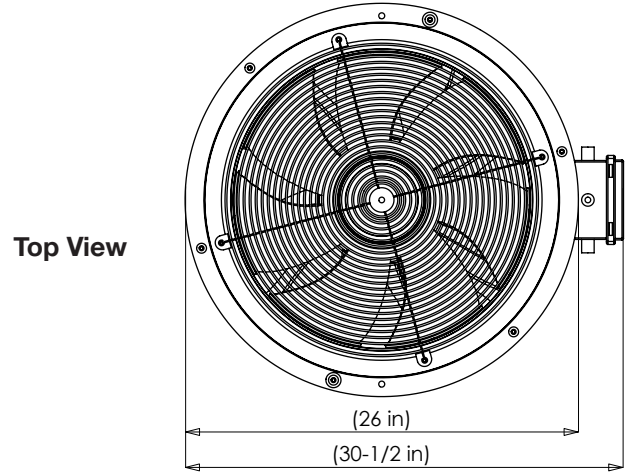
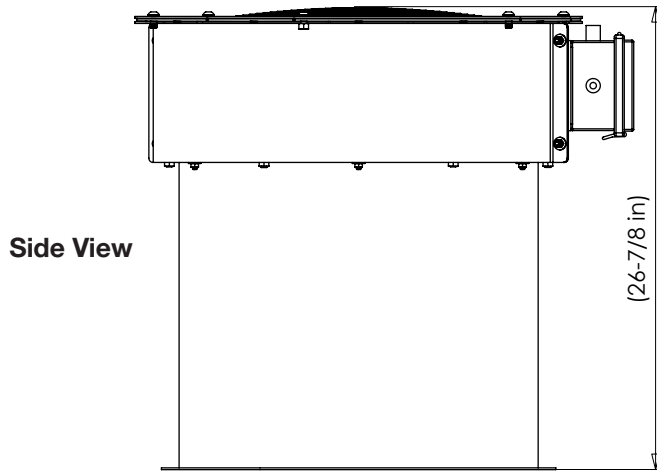
PRODUCT SPECIFICATIONS

# H140 EC Premium Efficiency

H-SERIES | OPEN CEILING

## DESTRATIFICATION FANS FOR CEILINGS UP TO 140' HIGH

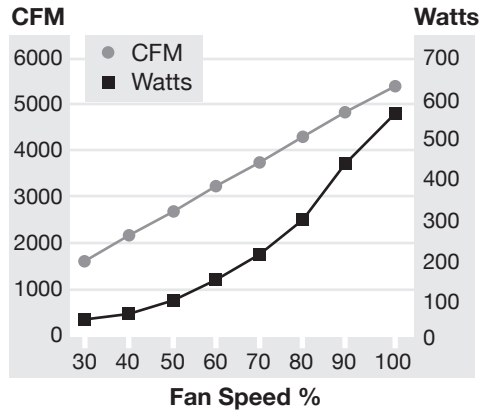
### Dimensions



### Specifications

<b>Model</b>	<b>H140 Premium Efficiency</b>
<b>Volts</b>	208-277
<b>Hz</b>	50/60
<b>Watts</b>	560
<b>Amps</b>	3.6
<b>CFM</b>	5400
<b>Wt. (lbs.)</b>	93

### Fan Speed vs CFM and Power Usage



### Sound Level Calculations

Hanging Height	dBa*
100 feet	39.3
120 feet	37.3
140 feet	36.4

\*based on non-reflective area

### Motor

- > Composite fan blades with patented design deliver unmatched efficiency
- > Ultra-reliable Ziehl-Abegg® motor with active protection for thermal overload, locked/blocked rotor, and over/under voltage
- > Sealed, lifetime lubricated bearings

### Housing

- > Cold rolled, 12-gauge steel
- > Multifunctional air guide with aerodynamic vanes
- > Straightening fins promote laminar flow and increase throw
- > Intake Safety Grill is standard

### Installation Hardware Included

- > Two (2) high-strength 12' cables with locking hook, Gripples® and attachment hardware. Each cable offers 200 lb. safe working load with a 5:1 safety factor, UL Listed.

### Coverage

Each fan covers from 2000-4000 sq. ft., depending on the following variables:

- > Ceiling height and square footage
- > Targeted number of air-turns per hour

### Options

- > Colors: Gray, or call for custom colors
- > Controllers (additional charge)

### FAQs

- > How many fans for this job?
- > How far apart should the fans be installed?
- > How much will this cost?

**Call for your free fan layout and quote.**



**Call or Click Today!**

**855-ZOO-FANS (855-966-3267) [zoofans.com](http://zoofans.com)**

ZOO FANS IS A TRADEMARK OF ZOO FANS INC. • ©2017 ZOO FANS INC. ALL RIGHTS RESERVED • 110917