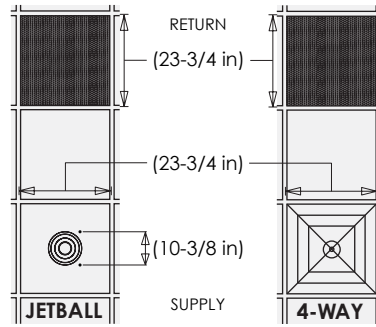


# IC30 Silent AC

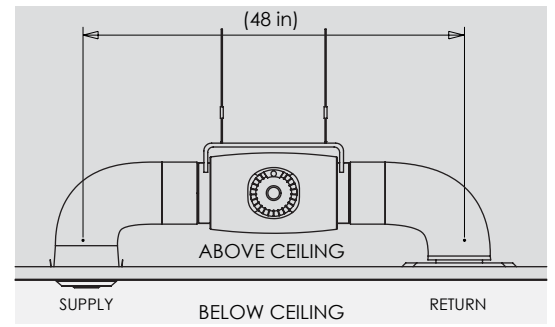
IC-SERIES | FOR DROP CEILINGS UP TO 30' HIGH



Installed View



Bottom View



Side View

## Typical Specifications

A variable speed, in-ceiling fan system with an ultra-quiet, energy-efficient, low-profile fan motor. Rugged mixed-flow impeller delivers airflow of 530 CFM at full speed. Must be a closed-loop design that does not compromise return plenum. Jet ball diffuser is standard, and can be adjusted up to 30° off-vertical in any direction to control the airflow. A 4-way diffuser is optional. Supply is also adaptable to linear bar, 2-way, or 3-way diffusers. Must be variable speed controllable from an analog controller via a 0-10 VDC or 4-20 mA control signal, or a direct in-line speed controller.

## Installation Hardware Included

- > Jet ball support bracket to support diffuser and maintain level ceiling.
- > Two (2) high-strength 10' cables with two (2) 6" arms, Gripples® and attachment hardware. Each cable offers 24 lb. safe working load with a 5:1 safety factor, UL Listed.

## Warranty

- > 4-Year Parts

## Selection Table

Model	Volts	Amps	Quantity
IC30-Silent-AC115.____.____	115	1.0	

## Color

Model	Color	Quantity
IC30-Silent-AC115.W.____.____	White <input type="checkbox"/>	
IC30-Silent-AC115.B.____.____	Black <input type="checkbox"/> (only available with Standard Package)	

## Return Diffuser

Model	Description	Quantity
IC30-Silent-AC115.____.P.____	Perforated Return Diffuser (Standard Package)	
IC30-Silent-AC115.____.C.____	Custom Return Diffuser*	

## Supply Diffuser

Model	Description	Quantity
IC30-Silent-AC115.____.J.____	JetBall Supply Diffuser (Standard Package)	
IC30-Silent-AC115.____.4.____	4-Way Supply Diffuser (Standard Option)	
IC30-Silent-AC115.____.C.____	Custom Supply Diffuser*	

## Additional Option\*

Model	Description	Quantity
IND-S-6	6' Acoustic Insulated Duct for Extended Runs	

## Speed Controllers\*

Part #	Description	Quantity
VS-5A-115V	Variable Speed 5 Amp 115V Controller	
VS-10A-115V	Variable Speed 10 Amp 115V Controller	
AVS-7.5A-____	Advanced Variable Speed 7.5 Amp Controller Auto-Detect 95V-250V	
<b>Control Methods:</b>		
AVS-7.5A-BAS	BAS, 0-10VDC or 4-20mA Analog Control Signal	
AVS-7.5A-MAN	Manual, 10K Potentiometer	
AVST-____-____	Advanced Variable Speed Transformer	
<b>Voltage:</b>		
AVST-115V-10A-____	115V                      10 Amp	
<b>Control Methods:</b>		
AVST-____-BAS	BAS, 0-10VDC Analog Control Signal	
AVST-____-MAN	Manual, User Interface	
AVST-____-AUTO	Automatic, User Interface, 2 Temperature Sensors	
AVS-MZTS-____	Advanced Variable Speed Multi-Zone Touch Screen	
- 4	4 - Zones	
- 8	8 - Zones	See AVS-MZTS submittal for voltage and zone configuration options.
- 12	12 - Zones	

\*Custom Diffusers, Additional Option and Speed Controllers are not included in base price.



## Technical Specifications

### Motor

<b>Type</b>	Permanent Split Capacitor (PSC) with Mixed-Flow Impeller
<b>Drive</b>	Direct Drive
<b>Bearings</b>	Sealed, Lifetime Lubricated
<b>Protection</b>	Thermal Overload Protection

### Electrical

<b>Volts</b>	115
<b>Hz</b>	60
<b>Watts</b>	100
<b>Amps</b>	1.0

### Performance

<b>CFM</b>	530
<b>RPM</b>	2200

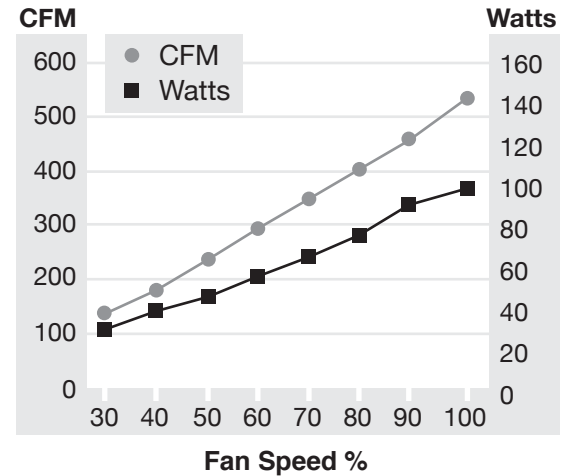
### Housing

<b>Type</b>	Low Profile, In-Line
<b>Construction</b>	Durable Reinforced Plastic
<b>Design</b>	Insulated Perforated Inner Skin, Sound-Absorbent Membrane

### Sound Characteristics

At this time there are no HVI test standards available for measuring sound levels of remote mounted fans. Sound levels are determined by the following: type of duct, length of duct, fan distance from the intake source and other miscellaneous factors. It is generally accepted that remote mounted fans are quieter than in-room mounted fans.

### Fan Speed vs CFM and Power



### Ducting

<b>Type</b>	Acoustic Insulated Flexible Duct
<b>Construction</b>	Transparent, Spun-Bonded, Non-Woven Inner Core with Factory Installed Universal Male/Female Collars
<b>Insulation</b>	R4.2 Insulation Standard R6 and R8 Available Upon Request

## Project

## Comments

<b>Job Name:</b>		<b>Date:</b>	
<b>Job Address:</b>			
<b>City:</b>	<b>State:</b>	<b>ZIP:</b>	
<b>Architect:</b>			
<b>Engineer:</b>			
<b>Contractor:</b>			