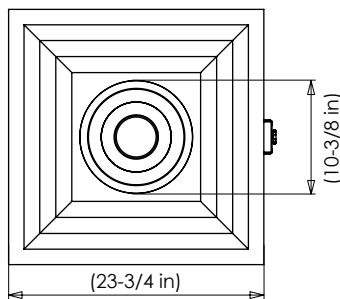
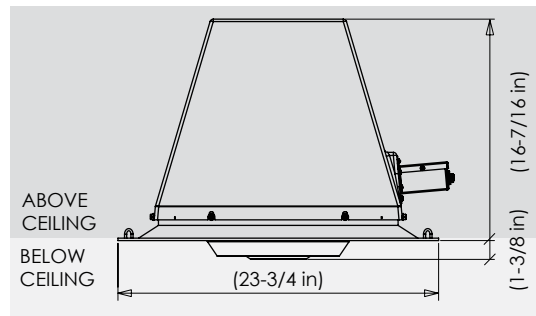




Installed View



Bottom View



Side View

Typical Specifications

A variable speed, in-ceiling fan system with a combination return and supply diffuser and a quiet, energy-efficient, low-profile fan motor. The diffuser must fit in a standard 24" X 24" drop-ceiling grid and the supply must be a jet ball that is adjustable up to 30° off vertical. The fan must produce airflow of 293 CFM at full-speed with a variable speed controllable, externally wound motor with mixed-flow impeller. Must have fire resistant enclosure and cannot have exposed blades like a traditional ceiling fan. Must be variable speed controllable from an analog controller via a 0-10 VDC or a 4-20 mA control signal, or a direct in-line speed controller. Must include four (4) 100-pound safe working load cable attachment system with external fast-release XP2 Gripples®.

Installation Hardware Included

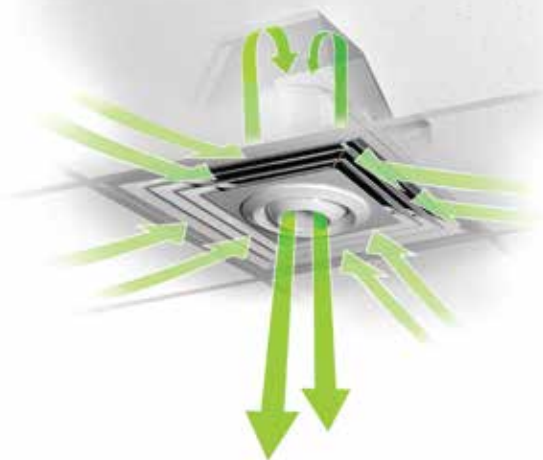
- > Four (4) 15' support cables with 1/4" eyelet ends, and XP2 external fast-release Gripples®. Each cable offers 100 lb. safe working load with a 5:1 safety factor, UL Listed.
- > Terminal box
- > Two (2) wire strain-relief fittings

Warranty

- > 4-Year Parts

Airflow Diagram

The fan draws air from all four sides, just below the ceiling. Air is then circulated through a dedicated plenum, and back to the floor through an adjustable jet ball.



Selection Table

Model	Volts	Amps	Quantity
IC20-AC115	115	0.54	

Color

Model	Color	Quantity
IC20-AC115	White <input type="checkbox"/>	

Speed Controllers*

Part #	Description	Quantity
VS-5A-115V	Variable Speed 5 Amp 115V Controller	
VS-10A-115V	Variable Speed 10 Amp 115V Controller	
AVS-7.5A-___	Advanced Variable Speed 7.5 Amp Controller Auto-Detect 95V-250V	
Control Methods:		
AVS-7.5A-BAS	BAS, 0-10VDC or 4-20mA Analog Control Signal	
AVS-7.5A-MAN	Manual, 10K Potentiometer	
AVST-___-___	Advanced Variable Speed Transformer	
Voltage:		
AVST-115V-10A-___	115V 10 Amp	
Control Methods:		
AVST-___-BAS	BAS, 0-10VDC Analog Control Signal	
AVST-___-MAN	Manual, User Interface	
AVST-___-AUTO	Automatic, User Interface, 2 Temperature Sensors	
AVS-MZTS-___	Advanced Variable Speed Multi-Zone Touch Screen	
- 4	4 - Zones	
- 8	8 - Zones	See AVS-MZTS submittal for voltage and zone configuration options.
- 12	12 - Zones	

*Speed Controllers are not included in base price.



Technical Specifications

Motor

Type	Permanent Split Capacitor (PSC) with Mixed-Flow Impeller
Drive	Direct Drive
Bearings	Sealed, Lifetime Lubricated
Protection	Thermal Overload Protection

Electrical

Volts	115
Hz	60
Watts	65
Amps	0.54

Performance

CFM	293
RPM	2289

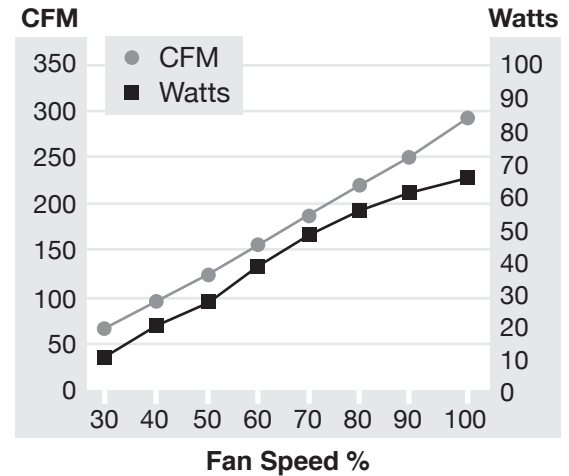
Motor Housing

Type	Low Profile, In-Line
Construction	Durable Reinforced Plastic

Sound Characteristics

Sound level is dependent on the type of controller used. An autotransformer controller is very quiet at lower fan speeds, whereas a TRIAC controller may produce motor hum at lower speeds. For sound sensitive areas such as libraries, theaters and classrooms, it is recommended that the ZOO Fans AVST-10A controller is used for manual, automatic, or BAS management of on/off/speed control. This controller will support up to (16) IC20 Fans.

Fan Speed vs CFM and Power



Diffuser

Type	Combination Return and Supply
Construction	4-Way, Louvered Return Jet Ball Supply
Direction	Return is Fixed, Jet Ball Supply is Adjustable Up to 30° Off-Vertical in Any Direction

Project

Comments

Job Name:		Date:	
Job Address:			
City:	State:	ZIP:	
Architect:			
Engineer:			
Contractor:			