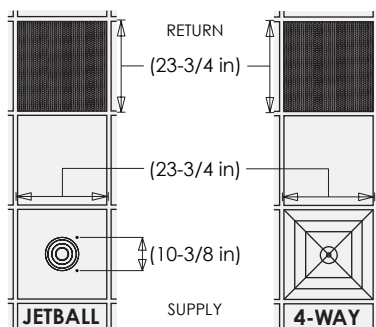


IC15 Silent AC

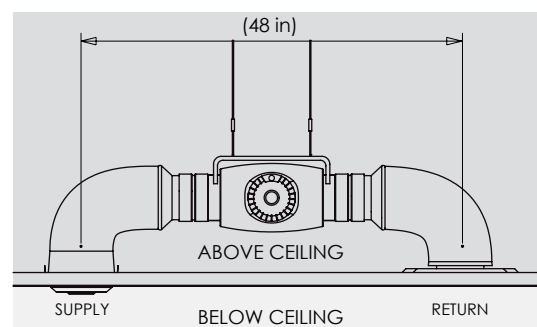
IC-SERIES | FOR DROP CEILINGS UP TO 15' HIGH



Installed View



Bottom View



Side View

Typical Specifications

A variable speed, in-ceiling fan system with an ultra-quiet, energy-efficient, low-profile fan motor. Rugged mixed-flow impeller delivers airflow of 315 CFM at full speed. Must be a closed-loop design that does not compromise return plenum. Jet ball diffuser is standard, and can be adjusted up to 30° off-vertical in any direction to control the airflow. A 4-way diffuser is optional. Supply is also adaptable to linear bar, 2-way, or 3-way diffusers. Must be variable speed controllable from an analog controller via a 0-10 VDC or 4-20 mA control signal, or a direct in-line speed controller.

Installation Hardware Included

- > Jet ball support bracket to support diffuser and maintain level ceiling.
- > Two (2) high-strength 10' cables with two (2) 6" arms, Gripples® and attachment hardware. Each cable offers 24 lb. safe working load with a 5:1 safety factor, UL Listed.



Warranty

- > 4-Year Parts

Selection Table

Model	Volts	Amps	Quantity
IC15-Silent-AC115.____	115	0.54	

Color

Model	Color	Quantity
IC15-Silent-AC115.W.____	White 	
IC15-Silent-AC115.B.____	Black  (only available with Standard Package)	

Return Diffuser

Model	Description	Quantity
IC15-Silent-AC115.____.P.____	Perforated Return Diffuser (Standard Package)	
IC15-Silent-AC115.____.C.____	Custom Return Diffuser*	

Supply Diffuser

Model	Description	Quantity
IC15-Silent-AC115.____.J	JetBall Supply Diffuser (Standard Package)	
IC15-Silent-AC115.____.4	4-Way Supply Diffuser (Standard Option)	
IC15-Silent-AC115.____.C	Custom Supply Diffuser*	

Additional Option*

Model	Description	Quantity
IND-S-6	6' Acoustic Insulated Duct for Extended Runs	

Speed Controllers*

Part #	Description	Quantity
VS-5A-115V	Variable Speed 5 Amp 115V Controller	
VS-10A-115V	Variable Speed 10 Amp 115V Controller	
AVS-7.5A-____	Advanced Variable Speed 7.5 Amp Controller Auto-Detect 95V-250V	

Control Methods:

AVS-7.5A-BAS	BAS, 0-10VDC or 4-20mA Analog Control Signal
AVS-7.5A-MAN	Manual, 10K Potentiometer
AVST-____-____	Advanced Variable Speed Transformer

Voltage:

AVST-115V-10A-____	115V	10 Amp
--------------------	------	--------

Control Methods:

AVST-____-BAS	BAS, 0-10VDC Analog Control Signal	
AVST-____-MAN	Manual, User Interface	
AVST-____-AUTO	Automatic, User Interface, 2 Temperature Sensors	
AVS-MZTS-____	Advanced Variable Speed Multi-Zone Touch Screen	
- 4	4 - Zones	
- 8	8 - Zones	See AVS-MZTS submittal for voltage and zone configuration options.
- 12	12 - Zones	

*Custom Diffusers, Additional Option and Speed Controllers are not included in base price.

Technical Specifications

Motor

Type	Permanent Split Capacitor (PSC) with Mixed-Flow Impeller
Drive	Direct Drive
Bearings	Sealed, Lifetime Lubricated
Protection	Thermal Overload Protection

Electrical

Volts	115
Hz	60
Watts	65
Amps	0.54

Performance

CFM	315
RPM	2700

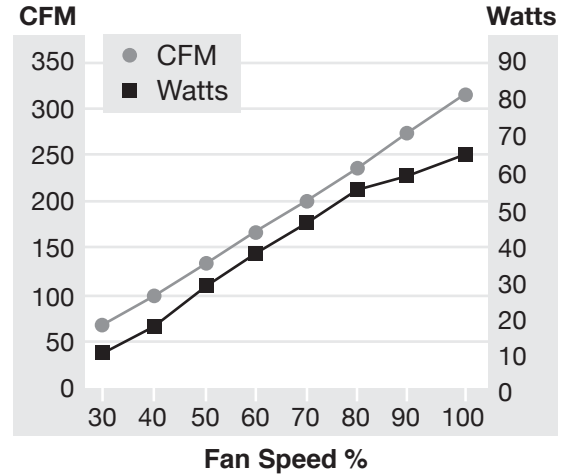
Housing

Type	Low Profile, In-Line
Construction	Durable Reinforced Plastic
Design	Insulated Perforated Inner Skin, Sound-Absorbent Membrane

Sound Characteristics

At this time there are no HVI test standards available for measuring sound levels of remote mounted fans. Sound levels are determined by the following: type of duct, length of duct, fan distance from the intake source and other miscellaneous factors. It is generally accepted that remote mounted fans are quieter than in-room mounted fans.

Fan Speed vs CFM and Power



Ducting

Type	Acoustic Insulated Flexible Duct
Construction	Transparent, Spun-Bonded, Non-Woven Inner Core with Factory Installed Universal Male/Female Collars
Insulation	R4.2 Insulation Standard R6 and R8 Available Upon Request

Project

Comments

Job Name:	<input type="text"/>	Date:	<input type="text"/>
Job Address:	<input type="text"/>		
City:	<input type="text"/>	State:	<input type="text"/>
ZIP:	<input type="text"/>		
Architect:	<input type="text"/>		
Engineer:	<input type="text"/>		
Contractor:	<input type="text"/>		