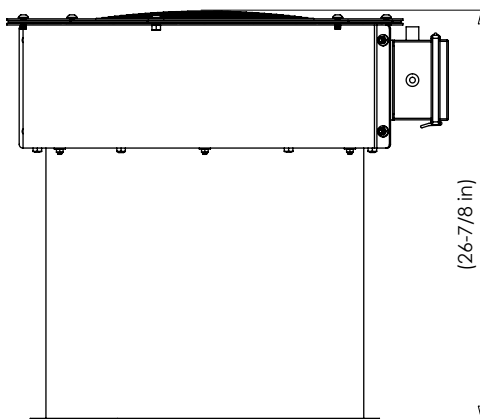


# H140 EC Premium Efficiency

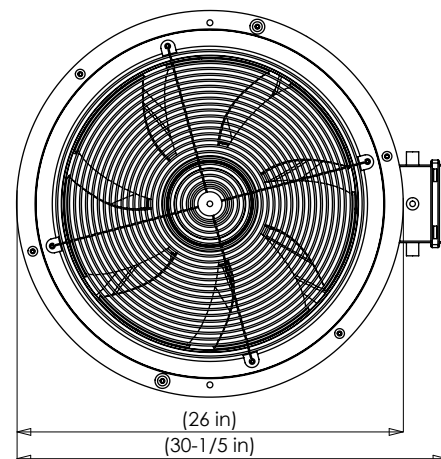
H-SERIES | FOR OPEN CEILINGS UP TO 140' HIGH



Installed View



Side View



Top View

## Typical Specifications

Destratification fan with airflow of 5400 CFM at full speed that operates with a variable speed controllable, electronically commutated (EC) motor. Must have 12-gauge steel enclosure and cannot have exposed blades like a traditional ceiling fan. Blades will have a serrated trailing edge and winglet and shall be constructed of high-performance composite, uncoated material. Fan shall contain a multi-functional air guide with 11 aerodynamic vanes that produces a tighter air column and significantly increases throw. Must have integrated motor controller with a wide range of control input options, including 0-10VDC, MODBUS RTU, potentiometer and PWM. Integrated controller shall indicate under / over voltage by LED light and provide status reporting via MODBUS. Optional configurations shall include 0-10VDC master-slave connections. Must include two 200-pound safe working load cable attachment systems and two additional attachment points for rigid / all-thread rod (not included).

## Installation Hardware Included

- > Two (2) high-strength 12' cables with locking hook, Gripple® and attachment hardware. Each cable offers 200 lb. safe working load with a 5:1 safety factor, UL Listed.

## Warranty


- > 2-Year Parts



## Selection Table

Model	Volts	Amps	Quantity
H140-EC	208-277	3.6	

## Colors

Model	Color	Quantity
H140-EC.G.____	Gray 	
H140-EC.C.____	Custom Colors Available*	

## Control Configuration

Model	Description	Quantity
H140-EC.____MAN	Manual ( <i>see options below</i> )	
H140-EC.____BAS	Building Automation System ( <i>see options below</i> )	

## Controllers

Model	Description	Quantity
<b>Manual Control Configuration:</b>		
H140-EC.____MAN	Manual Default: 0-10VDC Analog Control	
<b>Additional Manual Control Options:*</b>		
VS-10KPOT	Manual, 10K Potentiometer	
AVS-EC-AUTO	Automatic, User Interface, 2 Temperature Sensors	
<b>BAS Control Configuration:</b>		
H140-EC.____BAS	BAS Analog Default: 0-10VDC Analog Control	
H140-EC.____BAS.DIG	BAS Digital Default: MODBUS Enabled Control	
H140-EC.____BAS.PRE	Premium Control Module	
<b>Additional BAS Digital Control Options:*</b>		
AVS-MFTS	Multi-Fan Digital Touch Screen, 2.8" LCD Display	
BAS-MPI	Multiple Protocol Interface BACnet MS/TP, BACnet IP, LonWorks, Metasys N2	
BAS-WCC	Wireless Control Center with Web-Interface	

\*Custom Colors and Optional Controllers are not included in base price.

# H140 EC Premium Efficiency

H-SERIES | FOR OPEN CEILINGS UP TO 140' HIGH

## Technical Specifications

### Motor

<b>Type</b>	Ziehl-Abegg ECblue® Electrically Commutated (EC)
<b>Drive</b>	Direct Drive
<b>Bearings</b>	Sealed, Lifetime Lubricated
<b>Protection</b>	Active protection for thermal overload, locked/blocked rotor, and over/under voltage

### Electrical

<b>Volts</b>	208-277
<b>Hz</b>	50/60
<b>Watts</b>	560
<b>Amps</b>	3.6

### Performance

<b>CFM</b>	5400
<b>RPM</b>	1440

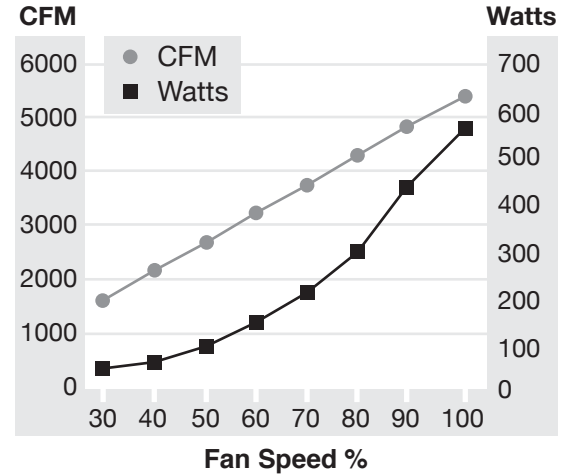
### Housing

<b>Type</b>	12-Gauge Steel
<b>Construction</b>	Cold Rolled
<b>Design</b>	Multifunctional Air Guide with Aerodynamic Vanes
<b>Protection</b>	Intake Safety Grill

### Certifications

ETL Listed in USA. Conforms to UL Standard 507.  
 Sound measurements in accordance with ISO 13347

### Fan Speed vs CFM and Power



### Sound Level Calculations

Hanging Height	dBa*
100 feet	39.3
120 feet	37.8
140 feet	36.4

\*based on non-reflective area

### Weight

	LBS	KG
<b>Hanging</b>	93	42.3
<b>Shipping</b>	145	65.8

## Project

## Comments

<b>Job Name:</b>	<input type="text"/>	<b>Date:</b>	<input type="text"/>
<b>Job Address:</b>	<input type="text"/>		
<b>City:</b>	<input type="text"/>	<b>State:</b>	<input type="text"/>
<b>ZIP:</b>	<input type="text"/>		
<b>Architect:</b>	<input type="text"/>		
<b>Engineer:</b>	<input type="text"/>		
<b>Contractor:</b>	<input type="text"/>		