



LIGHT KIT INSTALLATION MANUAL

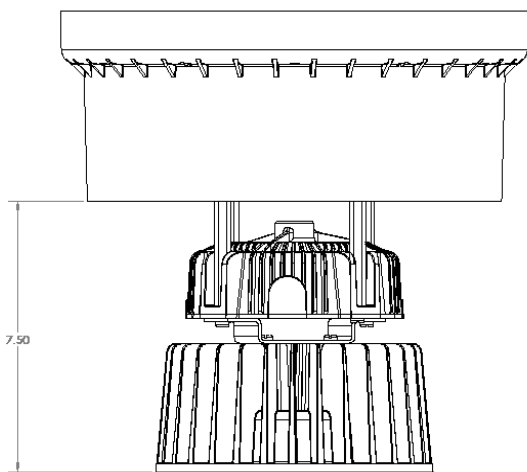
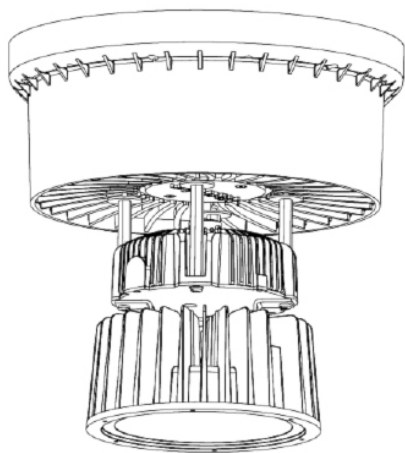
Accessories - Light Kit Installation

Use this installation manual if you
purchased a Light Kit.

MacroAir Light Kit

For control with light circuit
(AirVolution-D 550/780, AVD3)

pg.4



AirVolution-D 550/780, AVD3 Light Kit

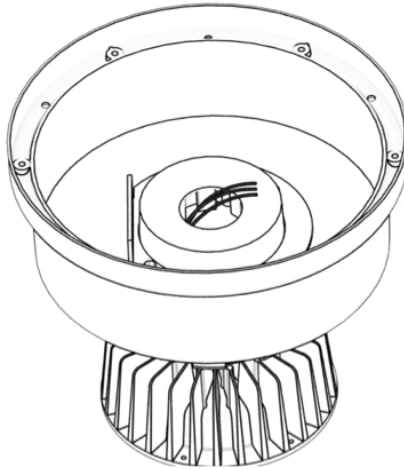
For control with light circuit

Following work should be performed by a qualified electrician

Note: The light shall be connected to a light circuit with power between 110V-277V.

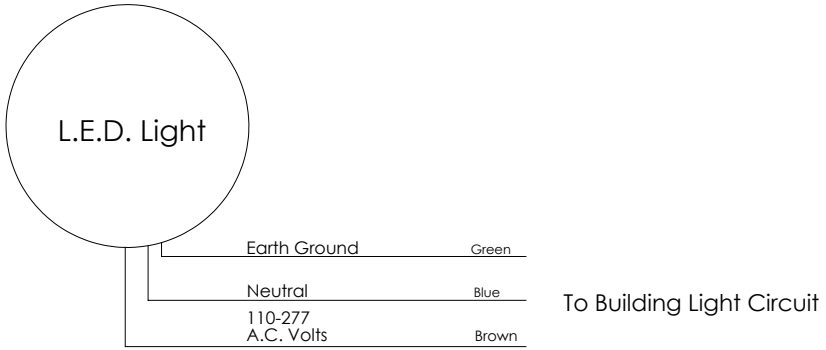
Caution: If 277 Volt circuit is used it must have a dedicated neutral wire.

1. Route a 3 conductors wire down the center of the mount, extension, and fan shaft. These wires shall come from the existing light circuit so that once installed, the light comes on and off together with the light circuit.
2. Leave 6-8 inches of wire hanging below the fan.
3. Tie the 3 conductors from the light circuit to the 3 conductors on the LED light matching Phase – Phase, Neutral – Neutral and Ground – Ground. Notice the 3 conductors will be coming up through the center of the bottom cover. Refer to Wiring Diagram 1.



4. Once the wires are joined together raise the bottom cover and light assembly up to the heatsink of the fan. Take special care not to pinch any wires and fasten the cover with 6 #10x32 socket head cap screw supplied by MacroAir.
5. Now you may control the light on and off by using the buildings light circuit

AirVolution-D 550/780, AVD3 Light Kit



Wiring Diagram 1

